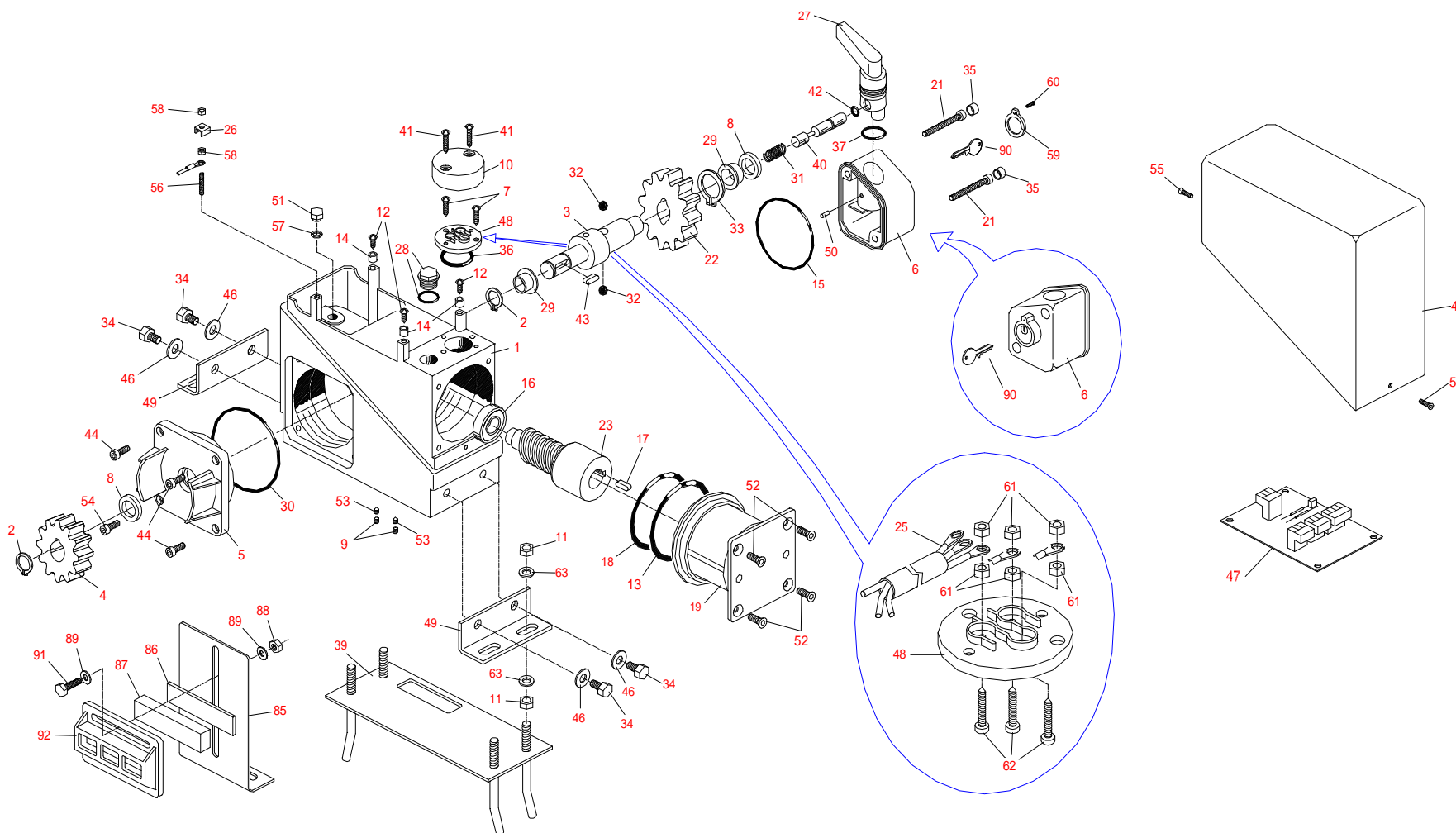


AUTOMATISMI PROFESSIONALI PER CANCELLI E GARAGE

PARTI DI RICAMBIO - SPARE PARTS - PIECES DE RECHANGE - ERSATZTEILE - PIEZAS DE REPUESTO

Scheda: LRS00130



Gi.Bi.Di. Continental S.p.A. - 46025 Poggio Rusco (MN) - Via A. Brennero 177/B
Tel. ++39.045.8270511 - Fax ++39.045.8270527 - E-mail: comm.gibidi@pn.itnet.it



AUTOMATISMI PROFESSIONALI PER CANCELLI E GARAGE

PARTI DI RICAMBIO - SPARE PARTS - PIECES DE RECHANGE - ERSATZTEILE - PIEZAS DE REPUESTO

Schema: LRS00130

Cod.	Descrizione Description Description	Beschreibung Description Descripción	
A90136P	Leva di sblocco completa PASS Complete unlocking lever - PASS Levier de déblocage complet PASS	kompletter Entriegelungshebel PASS Palanca de desbloqueo completa	6 1 15 1 21 2 27 1 35 2 37 1 50 1 59 1 60 1
A90137P	Cursore sblocco PASS Unlocking slider - PASS Curseur de déblocage PASS	Entriegelungsschieber PASS Cursor de desbloqueo PASS	31 1 40 1 42 1
A90138P	Alebero uscita completo PASS Complete output shaft - PASS Arbre sortie complet PASS	komplette Abtriebswelle PASS Eje de salida completo PASS	2 1 3 1 8 2 22 1 29 2 32 2 33 1 43 1
A90139P	Pignone esterno completo PASS 6 Complete outer pinion - PASS 6 Pignon extérieur complet PASS 6	komplettes, äußeres Ritzel PASS 6 Piñón externo completo PASS 6	2 1 4 1
A90140P	Flangia ingranaggio completa PASS 6 Complete gear flange - PASS 6 Flasque engrenage complet PASS 6	kompletter Flansch Zahnräder PASS 6 Brida engranaje completa PASS 6	5 1 8 1 30 1 44 3 54 1
A90141P	Cofano PASS 3 completo Complete case - PASS 3 Capot PASS 3 complet	komplette Haube PASS 3 Cubierta PASS 3 completa	45 1 55 2
A90142P	Vite senza fine completa PASS 3 Complete worm screw - PASS 3 Vis sans fin complète PASS 3	komplette, endlose Schraube PASS 3 Tornillo sinfin completo PASS 3	16 1 17 1 23 1
A90144P	Morsettiera completa PASS 8 Complete terminal board - PASS 8 Boite à bornes complète PASS 8	komplette Klemmleiste PASS 8 Bornera completa PASS 8	7 2 10 1 25 1 36 1 41 2 48 1 61 6 62 3
A90145P	Tappi per PASS Caps for PASS Bouchons pour PASS	Stopfen für PASS Taponos para PASS	28 1 51 1 57 1
A90146P	Staffe e viti di fissaggio PASS 3/4/6/8 Brackets and fixing screws - PASS 3/4/6/8 Etriers et vis de fixation PASS 3/4/6/8	Bügel und Feststellschrauben PASS Soportes de fijación PASS	11 8 34 4 46 4 49 2 63 8
A90147P	Vite e distanziali Apparecchiature per PAS Screw and spacers-PASS control units Vis et entretoises outillages pour PASS	Schraube Steuerungen für PASS Tornillo equipos para PASS	12 3 14 4 26 1 56 1 58 2
A90148P	Carcassa completa PASS 3/4/6/8 Complete casing - PASS 3/4/6/8 Carcasse complète PASS 3/4/6/8	komplettes Gestell PASS 3/4/6/8 Carcasa completa PASS	1 1 9 2 53 2



Gi.Bi.Di. Continental S.p.A. - 46025 Poggio Rusco (MN) - Via A. Brennero 177/B
Tel. ++39.045.8270511 - Fax ++39.045.8270527 - E-mail: comm.gibidi@pn.itnet.it



