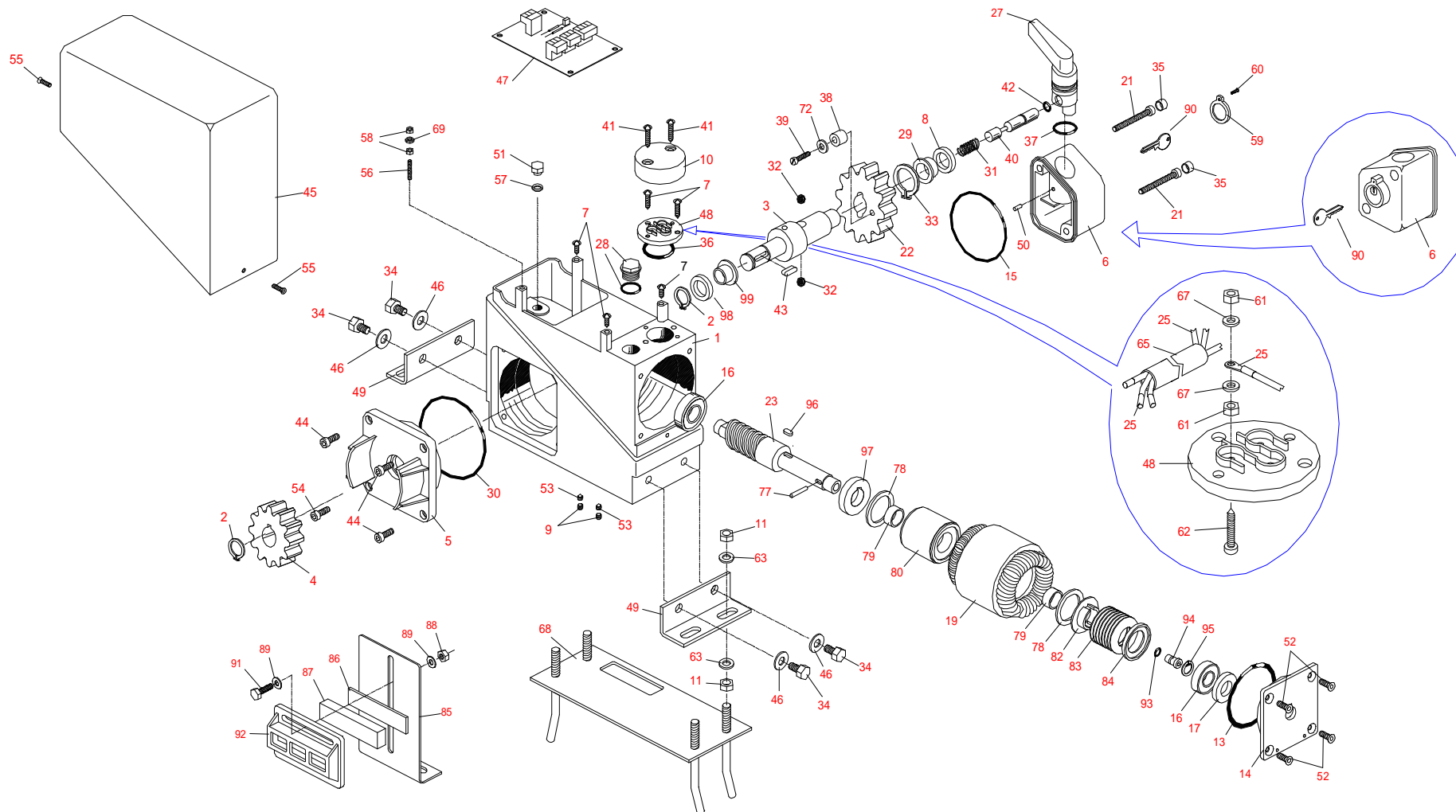


# AUTOMATISMI PROFESSIONALI PER CANCELLI E GARAGE

PARTI DI RICAMBIO - SPARE PARTS - PIECES DE RECHANGE - ERSATZTEILE - PIEZAS DE REPUESTO

Scheda: LRS00110



Gi.Bi.Di. Continental S.p.A. - 46025 Poggio Rusco (MN) - Via A. Brennero 177/B  
Tel. ++39.045.8270511 - Fax ++39.045.8270527 - E-mail: comm.gibidi@pn.itnet.it



# AUTOMATISMI PROFESSIONALI PER CANCELLI E GARAGE

## PARTI DI RICAMBIO - SPARE PARTS - PIECES DE RECHANGE - ERSATZTEILE - PIEZAS DE REPUESTO

Schema: LRS00110

Cod.	Descrizione Description Description	Beschreibung Description Descripción	
A90136P	Leva di sblocco completa PASS Complete unlocking lever - PASS Levier de déblocage complet PASS	kompletter Entriegelungshebel PASS Palanca de desbloqueo completa	6 1 15 1 21 2 27 1 35 2 37 1 50 1 59 1 60 1
A90145P	Tappi per PASS Caps for PASS Bouchons pour PASS	Stopfen für PASS Tapones para PASS	28 1 51 1 57 1
A90163P	Coppia chiavi ricambio PASS Pair of spare keys - PASS Série clés de rechange PASS	Paar Ersatzschlüssel PASS Par llaves de recambio PASS	90 1
A90164P	Gruppo finecorsa PASS Limit switch unit - PASS Groupe fin de course PASS	Gruppe Endschalter PASS Grupo final de carrera PASS	85 2 86 2 87 2 88 4 89 8 91 4 92 2
A90173P	Viti e distanziali per PASS Screws and spacers for PASS w/o control Vis et entretoises pour PASS sans outillage	Schrauben für PASS ohne Steuerungen Tornillos para PASS sin equipos	7 3 56 1 58 3 69 3
A90175P	Cursore sblocco PASS 12/18/25 Unlocking slider - PASS 12/18/25 Curseur de déblocage PASS 12/18/25	Entriegelungsschieber PASS 12/18/25 Cursor de desbloqueo PASS 12/18/25	31 1 40 1 42 1
A90176P	Albero uscita completo PASS 12/18/25 Complete output shaft - PASS 12/18/25 Arbre sortie complet PASS 12/18/25	komplette Abtriebswelle PASS 12/18/25 Eje de salida completo PASS 12/18/25	2 1 3 1 8 1 22 1 29 1 32 2 33 1 43 1 98 1 99 1
A90177P	Pignone esterno completo PASS 12 Complete outer pinion - PASS12 Pignon extérieur complet PASS 12	komplettes, äußeres Ritzel PASS 12 Piñón externo completo PASS 12	2 1 4 1
A90178P	Flangia ingranaggi completa PASS 12 Complete gear flange - PASS 12 Flasque engrenages complet PASS 12	kompletter Flansch Zahnräder PASS 12 Brida engranajes completa PASS 12	5 1 30 1 44 3 54 1 98 1 99 1
A90179P	Viti di fissaggio PASS 12/18/25 Fixing screws - PASS 12/18/25 Vis de fixation PASS 12/18/25	Feststellschrauben PASS 12/18/25 Tornillos de fijación PASS 12/18/25	11 8 34 4 46 4 49 2 63 8
A90180P	Carcassa completa PASS 12/18/25 Complete casing - PASS 12/18/25 Carcasse complète PASS 12/18/25	komplettes Gestell PASS 12/18/25 Carcasa completa PASS 12/18/25	1 1 9 2 53 2
A90180P	Carcassa completa PASS 12/18/25 Complete casing - PASS 12/18/25 Carcasse complète PASS 12/18/25	komplettes Gestell PASS 12/18/25 Carcasa completa PASS 12/18/25	1 1 9 2 53 2



Gi.Bi.Di. Continental S.p.A. - 46025 Poggio Rusco (MN) - Via A. Brennero 177/B  
Tel. ++39.045.8270511 - Fax ++39.045.8270527 - E-mail: comm.gibidi@pn.itnet.it



# AUTOMATISMI PROFESSIONALI PER CANCELLI E GARAGE

PARTI DI RICAMBIO - SPARE PARTS - PIECES DE RECHANGE - ERSATZTEILE - PIEZAS DE REPUESTO

Scheda: LRS00110

Cod.	Descrizione Description Description	Beschreibung Description Descripción	
A90181P	Cofano PASS 12/18/25 completo Complete case - PASS 12/18/25 Capot PASS 12/18/25 complet	komplette Haube PASS 12/18/25 Cubierta PASS 12/18/25 completa	45 1 55 3
A90185P	Flangia chiusura PASS 12/18/25 Closing flange - PASS 12/18/25 Flasque fermeture PASS 12/18/25	Flansch Schließung PASS 12/18/25 Brida cierre PASS 12/18/25	13 1 14 1 16 1 17 1 52 4
A90186P	Kit guarnizioni PASS 12/18/25 Gasket kit - PASS 12/18/25 Kit joints PASS 12/18/25	Dichtungssatz PASS 12/18/25 Kit guarniciones PASS 12/18/25	13 1 15 1 17 2 30 1 36 1 37 1 42 1 93 1 98 1
A90189P	Scheda PASS 12/18/25 Card - PASS 12/18/25 Carte PASS 12/18/25	Platine PASS 12/18/25 Tarjeta PASS 12/18/25	47 1
A90191P	Vite senza fine PASS 25 completa Complete worm screw - PASS 25 Vis sans fin PASS 25 complète	komplette, endlose Schraube PASS 25 Tornillo sinfin PASS 25 completo	16 2 23 1 77 1 78 2 79 2 80 1 82 1 83 8 84 1 93 1 94 1 95 1 96 1 97 1
A90192P	Motore PASS 25 completo Complete motor - PASS 25 Moteur PASS 25 complet	kompletter Motor PASS 25 Motor PASS 25 completo	9 2 13 1 19 1 53 2
A90193P	Morsettiera completa PASS 25 Complete terminal board - PASS 25 Boite à bornes complète PASS 25	komplette Klemmleiste PASS 25 Bornera completa PASS 25	7 2 10 1 25 1 36 1 41 2 48 1 61 6 62 3 65 1 67 6



Gi.Bi.Di. Continental S.p.A. - 46025 Poggio Rusco (MN) - Via A. Brennero 177/B  
Tel. ++39.045.8270511 - Fax ++39.045.8270527 - E-mail: comm.gibidi@pn.itnet.it

