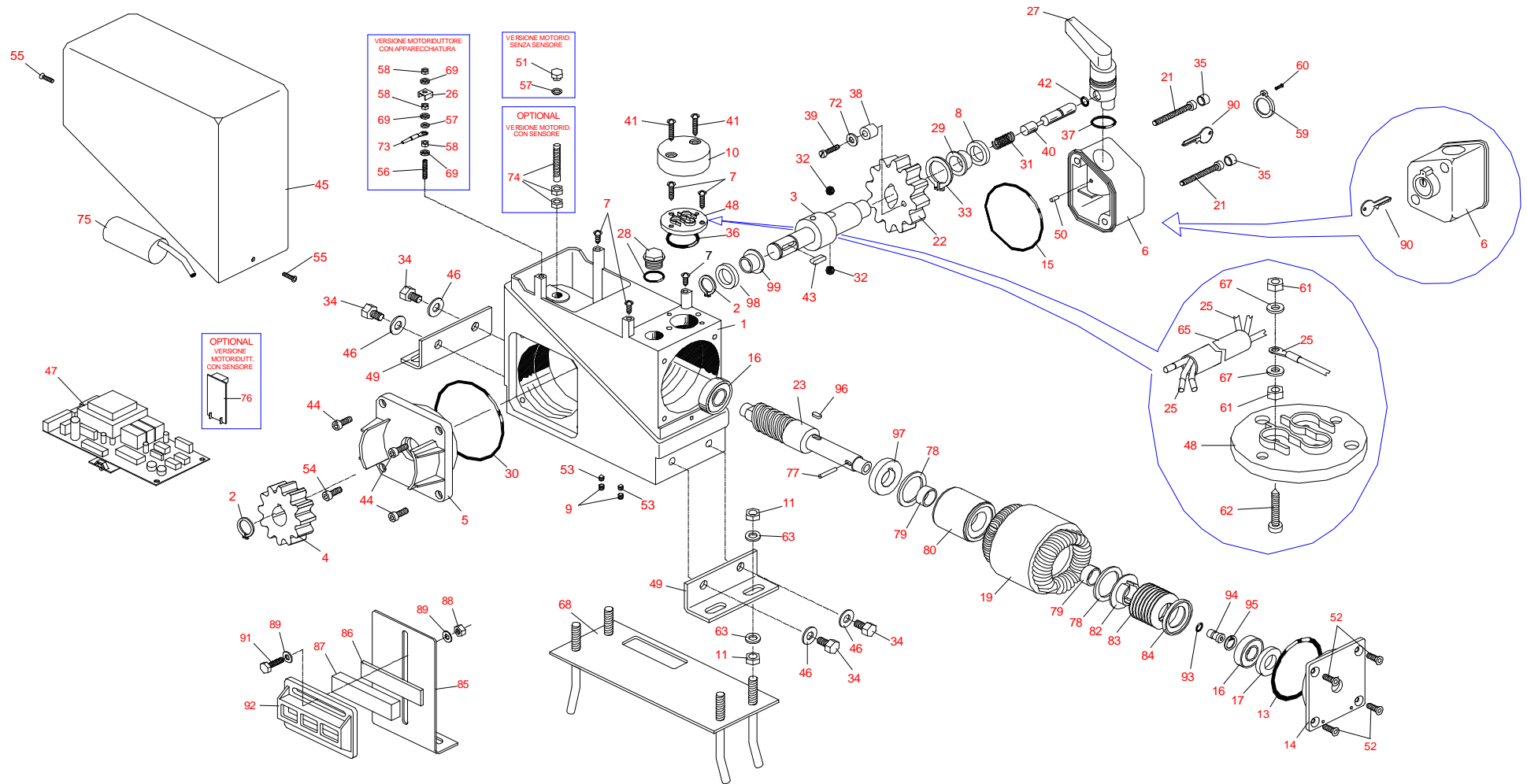


AUTOMATISMI PROFESSIONALI PER CANCELLI E GARAGE

PARTI DI RICAMBIO - SPARE PARTS - PIECES DE RECHANGE - ERSATZTEILE - PIEZAS DE REPUESTO - VERVANGINGSONDERDELEN - PECAS SOBRESSELENTES



Gi.Bi.Di. Continental S.p.A. - 46025 Poggio Rusco (MN) - Via A. Brennero 177/B
 Tel. ++39.045.8270511 - Fax ++39.045.8270527 - E-mail: comm.gibidi@pn.itnet.it



AUTOMATISMI PROFESSIONALI PER CANCELLI E GARAGE

PARTI DI RICAMBIO - SPARE PARTS - PIECES DE RECHANGE - ERSATZTEILE - PIEZAS DE REPUESTO - VERVANGINGSONDERDELEN - PECAS SOBRESSELENTES

Cod.	Descrizione Description Description Beschreibung	Descripción Beschrijving Descrição	
A90136P	Leva di sblocco completa PASS Complete unlocking lever - PASS Levier de déblocage complet PASS kompletter Entriegelungshebel PASS	Palanca de desbloqueo completa Alavanca de desbloqueio completa PASS Ontgrendelingshendel PASS, compleet	6 1 15 1 21 2 27 1 35 2 37 1 50 1 59 1 60 1
A90145P	Tappi per PASS Caps for PASS Bouchons pour PASS Stopfen für PASS	Taponos para PASS Tampas para PASS Doppen voor PASS	28 1 51 1 57 1
A90157P	Morsettiera completa PASS Complete terminal board - PASS 3/4/6/8/12/18 Boîte à bornes complète PASS 3/4/6/8/12/18 komplette Klemmleiste PASS	Bornera completa PASS Caixa de terminais completa PASS Klemmenbord PASS, compleet	7 2 10 1 25 1 36 1 41 2 48 1 61 6 62 3 65 1 67 6
A90158P	Vite e distanziali apparecchiature PASS Screw and spacers-PASS 3/4/6/8/12 control units Vis et entretoises outillages PASS 3/4/6/8/12 Schraube Steuerungen PASS	Tornillo equipos PASS Parafusos e espaçadores aparelhos PASS Schroef en afstandsstukken apparatuur PASS	7 3 26 1 56 1 57 1 58 3 69 3 73 1
A90161P	Sensore induttivo completo Complete inductive sensor Capteur inductif complet kompletter Induktionssensor	Sensor inductivo completo Sensor indutivo completo Inductiesensor, compleet	74 1 76 1
A90163P	Coppia chiavi ricambio PASS Pair of spare keys - PASS Série clés de rechange PASS Paar Ersatzschlüssel PASS	Par llaves de recambio PASS Par de chaves sobresselentes PASS Paar vervangende sleutels PASS	90 1
A90164P	Gruppo fincorsa PASS Limit switch unit - PASS Groupe fin de course PASS Gruppe Endschalter PASS	Grupo final de carrera PASS Grupo Fim de curso PASS Eindschakelaargroep PASS	85 2 86 2 87 2 88 4 89 8 91 4 92 2
A90175P	Cursore sblocco PASS 12/18/25 Unlocking slider - PASS 12/18/25 Curseur de déblocage PASS 12/18/25 Entriegelungsschieber PASS 12/18/25	Cursor de desbloqueo PASS 12/18/25 Cursor de desbloqueio PASS 12/18/25 Ontgrendelingschuif PASS 12/18/25	31 1 40 1 42 1
A90176P	Albero uscita completo PASS 12/18/25 Complete output shaft - PASS 12/18/25 Arbre sortie complet PASS 12/18/25 komplette Abtriebswelle PASS 12/18/25	Eje de salida completo PASS 12/18/25 Eixo de saída completo PASS 12/18/25 Uitvoeras compleet PASS 12/18/25	2 1 3 1 8 1 22 1 29 1 32 2 33 1 43 1 98 1 99 1 38 1 39 1 72 1
A90177P	Pignone esterno completo PASS 12 Complete outer pinion - PASS12 Pignon extérieur complet PASS 12 komplettes, äußeres Ritzel PASS 12	Piñón externo completo PASS 12 Pinhão exterior completo PASS 12 Externe pignon PASS 12, compleet	2 1 4 1
A90178P	Flangia ingranaggi completa PASS 12 Complete gear flange - PASS 12 Flasque engrenages complet PASS 12 kompletter Flansch Zahnräder PASS 12	Brida engranajes completa PASS 12 Flange engrenagens completa PASS 12 Flens tandwielen PASS 12, compleet	5 1 30 1 44 3 54 1 98 1 99 1



Gi.Bi.Di. Continental S.p.A. - 46025 Poggio Rusco (MN) - Via A. Brennero 177/B
Tel. ++39.045.8270511 - Fax ++39.045.8270527 - E-mail: comm.gibidi@pn.itnet.it



AUTOMATISMI PROFESSIONALI PER CANCELLI E GARAGE

PARTI DI RICAMBIO - SPARE PARTS - PIECES DE RECHANGE - ERSATZTEILE - PIEZAS DE REPUESTO - VERVANGINGSONDERDELEN - PECAS SOBRESSELENTES

Cod.	Descrizione Description Description Beschreibung	Descrìpçìon Beschrijving Descrição	
A90179P	Viti di fissaggio PASS 12/18/25 Fixing screws - PASS 12/18/25 Vis de fixation PASS 12/18/25 Feststellschrauben PASS 12/18/25	Tornillos de fijación PASS 12/18/25 Parafusos de fixação PASS 12/18/25 Bevestigingsschroeven PASS 12/18/25	11 8 34 4 46 4 49 2 63 8
A90180P	Carcassa completa PASS 12/18/25 Complete casing - PASS 12/18/25 Carcasse complète PASS 12/18/25 komplettes Gestell PASS 12/18/25	Carcasa completa PASS 12/18/25 Carcaça completa PASS 12/18/25 Karkas compleet PASS 12/18/25	1 1 9 2 53 2
A90181P	Cofano PASS 12/18/25 completo Complete case - PASS 12/18/25 Capot PASS 12/18/25 complet komplette Haube PASS 12/18/25	Cubierta PASS 12/18/25 completa Cobertura PASS 12/18/25 completo Koffer PASS 12/18/25 compleet	45 1 55 3
A90182P	Condensatore PASS 12/18 Capacitor - PASS 12/18 Condensateur PASS 12/18 Kondensator PASS 12/18	Condensador PASS 12/18 Condensador PASS 12/18 Condensator PASS 12/18	75 1
A90183P	Vite senza fine completa PASS 12 Complete worm screw - PASS 12 Vis sans fin complète PASS 12 komplette, endlose Schraube PASS 12	Tornillo sinfin completo PASS 12 Parafuso sem-fim completo PASS 12 Wormschroef PASS 12, compleet	16 2 23 1 77 1 78 2 79 2 80 1 82 1 83 8 84 1 93 1 94 1 95 1 96 1 97 1
A90184P	Motore PASS 12/18 completo Complete motor - PASS 12/18 Moteur PASS 12/18 complet kompletter Motor PASS 12/18	Motor PASS 12/18 completo Motor PASS 12/18 completo Motor PASS 12/18 compleet	9 2 13 1 19 1 53 2
A90185P	Flangia chiusura PASS 12/18/25 Closing flange - PASS 12/18/25 Flasque fermeture PASS 12/18/25 Flansch Schließung PASS 12/18/25	Brida cierre PASS 12/18/25 Flange encerramento PASS 12/18/25 Sluitflens PASS 12/18/25	13 1 14 1 16 1 17 1 52 4
A90186P	Kit guarnizioni PASS 12/18/25 Gasket kit - PASS 12/18/25 Kit joints PASS 12/18/25 Dichtungssatz PASS 12/18/25	Kit guarniciones PASS 12/18/25 Kit juntas vedação PASS 12/18/25 Pakkingenset PASS 12/18/25	13 1 15 1 17 2 30 1 36 1 37 1 42 1 93 1 98 1
A90187P	Apparecchiature PASS 12/18/Plus Control unit - PASS 12/18/Plus Outillages PASS 12/18/Plus Steuerung PASS 12/18/Plus	Equipos PASS 12/18/Plus Aparelhagens PASS 12/18/Plus Apparatuur PASS 12/18/Plus	47 1



Gi.Bi.Di. Continental S.p.A. - 46025 Poggio Rusco (MN) - Via A. Brennero 177/B
Tel. ++39.045.8270511 - Fax ++39.045.8270527 - E-mail: comm.gibidi@pn.itnet.it

