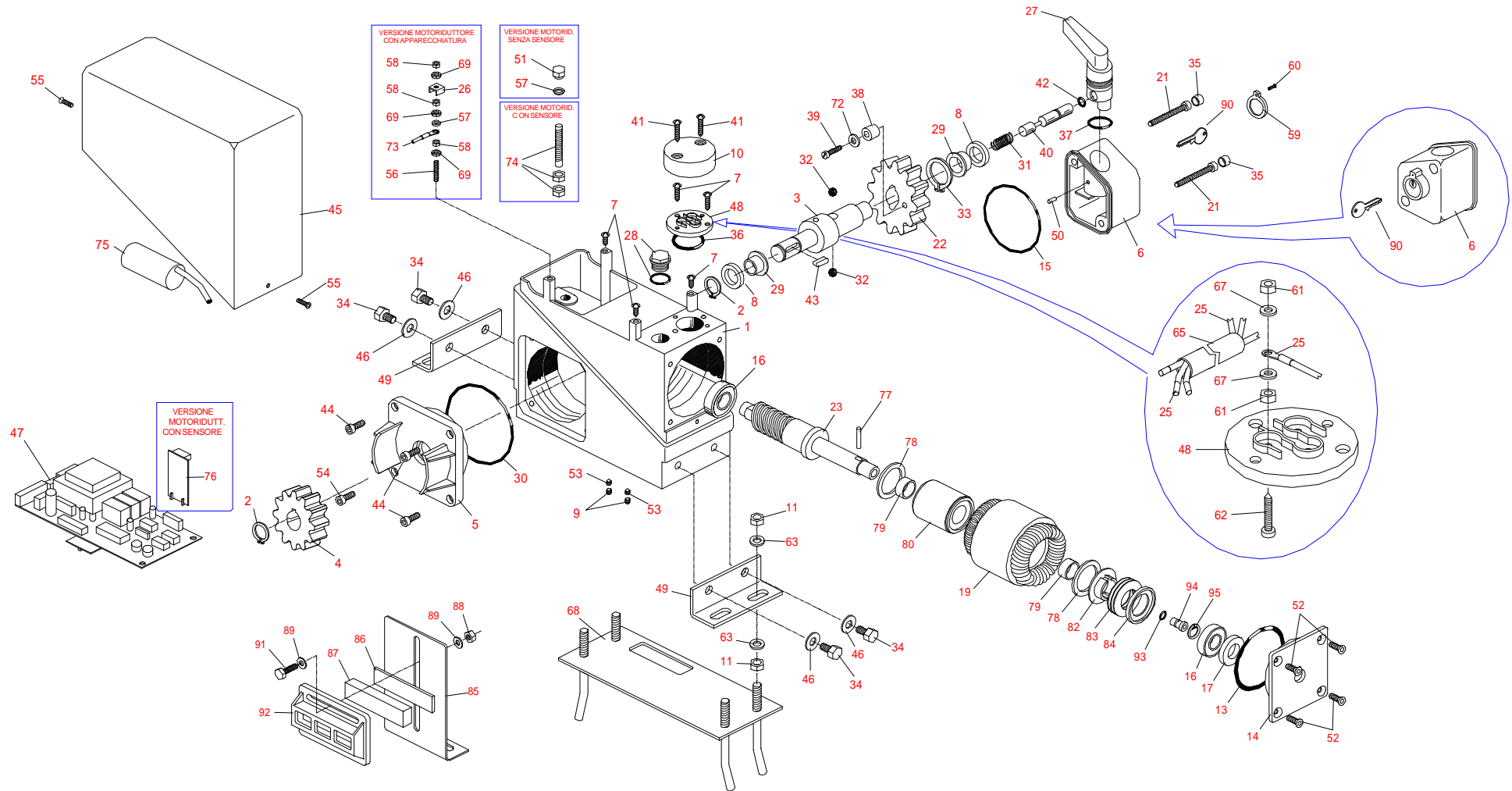


# AUTOMATISMI PROFESSIONALI PER CANCELLI E GARAGE

PARTI DI RICAMBIO - SPARE PARTS - PIECES DE RECHANGE - ERSATZTEILE - PIEZAS DE REPUESTO - VERVANGINGSONDERDELEN - PECAS SOBRESSELENTES



Gi.Bi.Di. Continental S.p.A. - 46025 Poggio Rusco (MN) - Via A. Brennero 177/B  
 Tel. ++39.045.8270511 - Fax ++39.045.8270527 - E-mail: comm.gibidi@pn.itnet.it



## AUTOMATISMI PROFESSIONALI PER CANCELLI E GARAGE

### PARTI DI RICAMBIO - SPARE PARTS - PIECES DE RECHANGE - ERSATZTEILE - PIEZAS DE REPUESTO - VERVANGINGSONDERDELEN - PECAS SOBRESSELENTES

Cod.	Descrizione Description Description Beschreibung	Descrìpcìon Beschrijving Descrição	
<b>A90136P</b>	Leva di sblocco completa PASS Complete unlocking lever - PASS Levier de déblocage complet PASS kompletter Entriegelungshebel PASS	Palanca de desbloqueo completa Alavanca de desbloqueio completa PASS Ontgrendelingshendel PASS, compleet	6 1 15 1 21 2 27 1 35 2 37 1 50 1 59 1 60 1
<b>A90137P</b>	Cursore sblocco PASS Unlocking slider - PASS Curseur de déblocage PASS Entriegelungsschieber PASS	Cursor de desbloqueo PASS Cursor de desbloqueio PASS Ontgrendelingsschuif PASS	31 1 40 1 42 1
<b>A90139P</b>	Pignone esterno completo PASS 6 Complete outer pinion - PASS 6 Pignon extérieur complet PASS 6 komplettes, äußeres Ritzel PASS 6	Piñón externo completo PASS 6 Pinhão exterior completo PASS 6 Externe pignon PASS 6, compleet	2 1 4 1
<b>A90140P</b>	Flangia ingranaggio completa PASS 6 Complete gear flange - PASS 6 Flasque engrenage complet PASS 6 kompletter Flansch Zahnräder PASS 6	Brida engranaje completa PASS 6 Flange engranagem completa PASS 6 Flens tandwiel PASS 6, compleet	5 1 8 1 30 1 44 3 54 1
<b>A90145P</b>	Tappi per PASS Caps for PASS Bouchons pour PASS Stopfen für PASS	Taponos para PASS Tampas para PASS Doppen voor PASS	28 1 51 1 57 1
<b>A90146P</b>	Staffe e viti di fissaggio PASS 3/4/6/8 Brackets and fixing screws - PASS 3/4/6/8 Etriers et vis de fixation PASS 3/4/6/8 Bügel und Feststellschrauben PASS	Soportes de fijación PASS Suportes e parafusos de fixação PASS 3/4/6/8 Beugels en bevestigingsschroeven PASS 3/4/6/8	11 8 34 4 46 4 49 2 63 8
<b>A90148P</b>	Carcassa completa PASS 3/4/6/8 Complete casing - PASS 3/4/6/8 Carcasse complète PASS 3/4/6/8 komplettes Gestell PASS 3/4/6/8	Carcasa completa PASS Carcaça completa PASS 3/4/6/8 Karkas compleet PASS 3/4/6/8	1 1 9 2 53 2
<b>A90153P</b>	Cofano PASS 3/4/6/8 completo Complete case - PASS 3/4/6/8 Capot PASS 3/4/6/8 complet komplette Haube PASS 3/4/6/8	Cubierta PASS 3/4/6/8 completa Cobertura 3/4/6/8 completo Koffer PASS 3/4/6/8 compleet	45 1 55 2
<b>A90157P</b>	Morsettiera completa PASS Complete terminal board - PASS 3/4/6/8/12/18 Boite à bornes complète PASS 3/4/6/8/12/18 komplette Klemmleiste PASS	Bornera completa PASS Caixa de terminais completa PASS Klemmenbord PASS, compleet	7 2 10 1 25 1 36 1 41 2 48 1 61 6 62 3 65 1 67 6
<b>A90158P</b>	Vite e distanziali apparecchiature PASS Screw and spacers-PASS 3/4/6/8/12 control unit Vis et entretoises outillages PASS 3/4/6/8/12 Schraube Steuerungen PASS	Tornillo equipos PASS Parafusos e espaçadores aparelhos PASS Schroef en afstandstukken apparatuur PASS	7 3 26 1 56 1 57 1 58 3 69 3 73 1
<b>A90161P</b>	Sensore induttivo completo Complete inductive sensor Capteur inductif complet kompletter Induktionssensor	Sensor induttivo completo Sensor indutivo completo Inductiesensor, compleet	74 1 76 1



GI.Bi.Di. Continental S.p.A. - 46025 Poggio Rusco (MN) - Via A. Brennero 177/B  
Tel. ++39.045.8270511 - Fax ++39.045.8270527 - E-mail: comm.gibidi@pn.itnet.it



## AUTOMATISMI PROFESSIONALI PER CANCELLI E GARAGE

### PARTI DI RICAMBIO - SPARE PARTS - PIECES DE RECHANGE - ERSATZTEILE - PIEZAS DE REPUESTO - VERVANGINGSONDERDELEN - PECAS SOBRESSELENTES

Cod.	Descrizione Description Description Beschreibung	Descripció Beschrijving Descrição	
<b>A90162P</b>	Condensatore PASS 4/6 Capacitor - PASS 4/6 Condensateur PASS 4/6 Kondensator PASS 4/6	Condensador PASS 4/6 Condensador PASS 4/6 Condensator PASS 4/6	75 1
<b>A90163P</b>	Coppia chiavi ricambio PASS Pair of spare keys - PASS Série clés de rechange PASS Paar Ersatzschlüssel PASS	Par llaves de recambio PASS Par de chaves sobresselentes PASS Paar vervangende sleutels PASS	90 1
<b>A90164P</b>	Gruppo finecorsa PASS Limit switch unit - PASS Groupe fin de course PASS Gruppe Endschalter PASS	Grupo final de carrera PASS Grupo Fim de curso PASS Eindschakelaargroep PASS	85 2 86 2 87 2 88 4 89 8 91 4 92 2
<b>A90165P</b>	Vite senza fine PASS 6 completa Complete worm screw - PASS 6 Vis sans fin PASS 6 complète komplette, endlose Schraube PASS 6	Tornillo sinfin PASS 6 completo Parafuso sem-fim PASS 6 completo Wormschroef PASS 6, compleet	16 2 23 1 77 1 78 2 79 2 80 1 82 1 83 3 84 1 93 1 94 1 95 1
<b>A90166P</b>	Statore PASS 6 completo Complete stator - PASS 6 Stator PASS 6 complet kompletter Stator PASS 6	Estator PASS 6 completo Estator PASS 6 completo Stator PASS 6, compleet	9 2 13 1 19 1 53 2
<b>A90167P</b>	Flangia chiusura PASS 6 Closing flange - PASS 6 Flasque fermeture PASS 6 Flansch Schließung PASS 6	Brida cierre PASS 6 Flange encerramento PASS 6 Sluitflens PASS 6	13 1 14 1 16 1 17 1 52 4
<b>A90168P</b>	Apparecchiatura PASS 6/Q Control unit - PASS 6/Q Outillage PASS 6/Q Steuerung PASS 6/Q	Equipo PASS 6/Q Aparelhagem PASS 6/Q Apparatuur PASS 6/Q	47 1
<b>A90170P</b>	Albero uscita completo PASS 6 Complete output shaft - PASS 6 Arbre sortie complet PASS 6 komplette Abtriebswelle PASS 6	Eje de salida completo PASS 6 Eixo de saída completo PASS 6 Uitvoeras compleet PASS 6	2 1 3 1 8 2 22 1 29 2 32 2 33 1 38 1 39 1 43 1 72 1
<b>A90171P</b>	Kit guarnizioni PASS 6 Gasket kit - PASS 6 Kit joints PASS 6 Dichtungssatz PASS 6	Kit guarniciones PASS 6 Kit juntas vedação PASS 6 Pakkingenset PASS 6	8 2 13 1 15 1 17 1 30 1 36 1 37 1 42 1 93 1



Gi.Bi.Di. Continental S.p.A. - 46025 Poggio Rusco (MN) - Via A. Brennero 177/B  
Tel. ++39.045.8270511 - Fax ++39.045.8270527 - E-mail: comm.gibdi@pn.itnet.it

